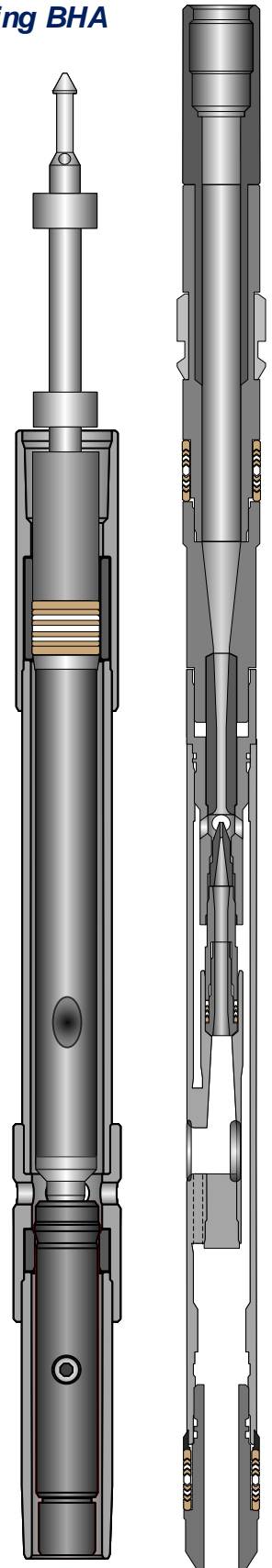


JJ Tech's versatile pumps can be adapted to fit inside any Jet Pump BHA or Sliding Sleeve on the market. JJ Tech stocks numerous adaptations ready to ship worldwide.

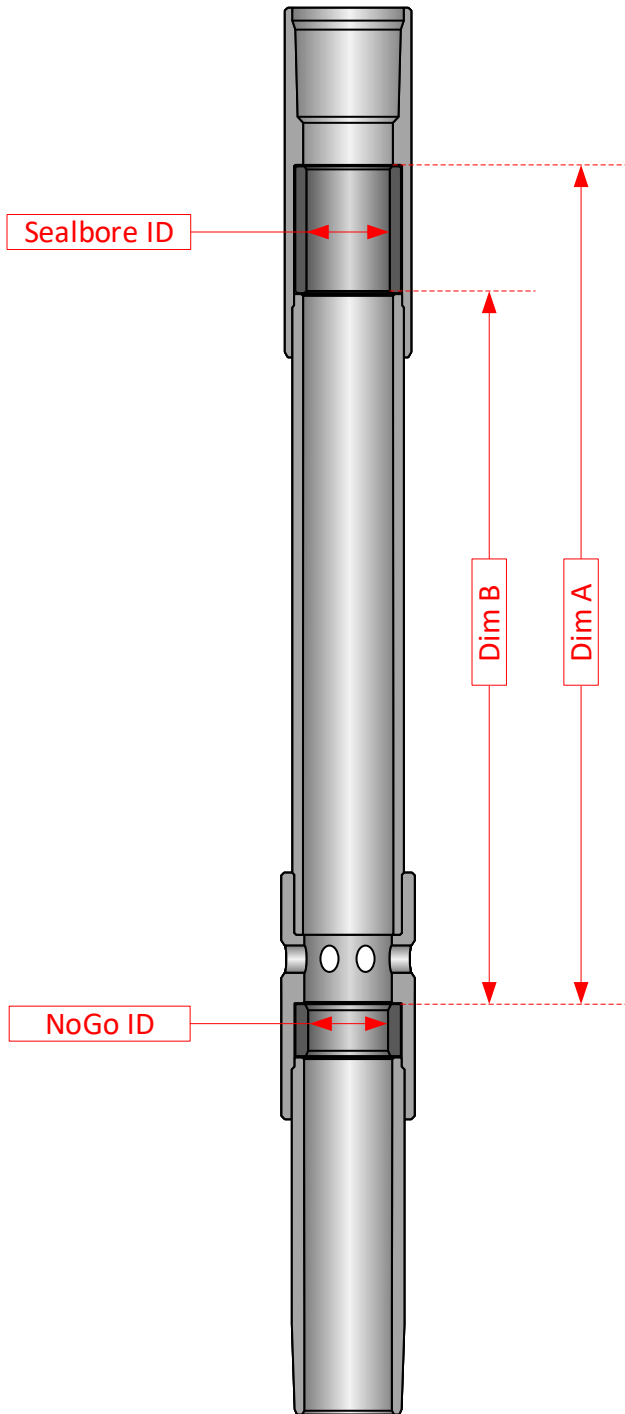
Features / Advantages / Benefits

- Normal and Reverse Flow Adaptations are available
- JJ Tech can adapt to any API Sliding Sleeve
- All Viton elastomers (O-Rings)
- PEEK / Teflon Vee Packing is our standard
- Standard Materials are 17-4 PH Stainless Steel (QPQ)
- Current adaptations are:
 - All Weatherford, Trico, Kobe, Petrolift, & Oilmaster, BHA's CD-6000, Baker L, Otis R,X,&D, Halliburton Dura-Sleeve Sealbore Sizes 1.78", 1.87", 2.31", 2.78", 2.81", 3.81"
- Premium Materials Include:
 - Inconel 625 - Hastelloy X - 316 Stainless Steel
 - 420 Stainless Steel (*Boron Carbide Clad*)
- JJ Tech can also supply Equalizing Standing Valves to set in existing completions.

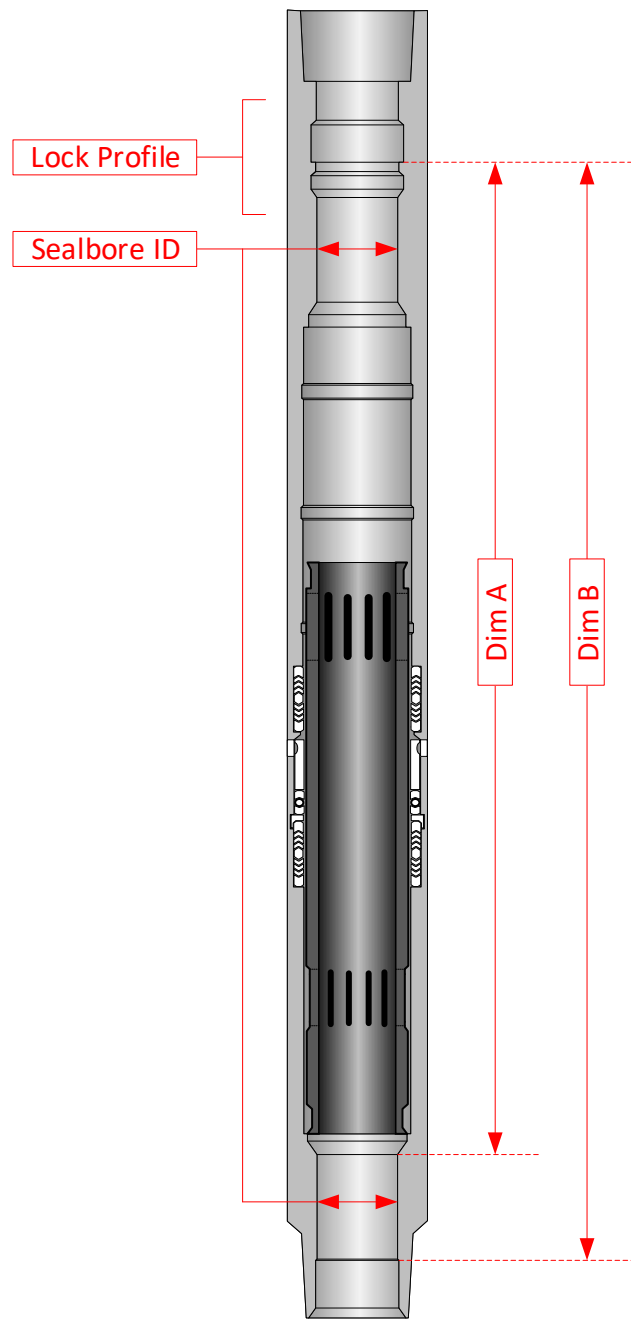


Adaptation Dimensions Needed

JET PUMP BHA



SLIDING SLEEVE



2" & 2.5" Retrofit
 Guiberson Petrolift
 Oilmaster Trico
 Kobe

1.78 CMD, R	2.31 CMD,CD-6000,L,XA,XD
1.81 L	2.75 L XA,XD
1.87 FO,XA,XD	2.81 XA,XD
2.25 FD	3.81 XA,XD